

# UP SuperServer SYS-510P-MR



More details here

## Key Applications

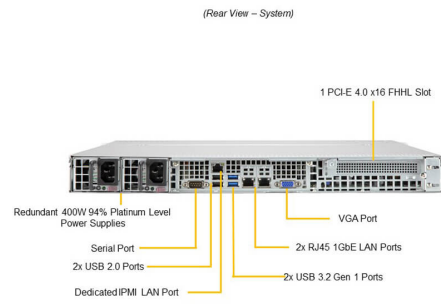
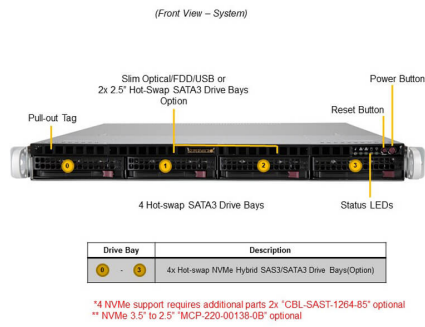
Small Business, Web/Hosting Application, Email/Firewall/Print Server,

## Key Features

- Single Socket P+ (LGA-4189) 3rd Gen Intel® Xeon® Scalable processors Up to 220W TDP.;
- 8 DIMMs; Supports 3DS DDR4-3200: RDIMM/LRDIMM/Intel® DCPMM;
- 1 PCIe 4.0 x16 (FHHL) slot;
- Intel® Ethernet Controller i350 2x 1GbE RJ45;
- 4x hot-swap 3.5" Hybrid SATA3/NVMe drive bays, SAS3 with additional SAS controller card; Onboard 2x NVMe/SATA M.2;
- Redundant Platinum 400W Power Supply;



Form Factor	1U Rackmount Enclosure: 437 x 43 x 507mm (17.2" x 1.7" x 19.98") Package: 609.6 x 215.9 x 749.3mm (24" x 8.5" x 29.5")
Processor	Single Socket P+ (LGA-4189) 3rd Gen Intel® Xeon® Scalable processors Up to 36C/72T; Up to 54MB Cache
System Memory	Slot Count: 8 DIMM slots Max Memory (2DPC): Up to 2TB 3200MT/s ECC DDR4 RDIMM/LRDIMM Supports Intel® Optane™ persistent memory 200 series
Drive Bays	4x 3.5" NVMe/SATA drive bays (4x 3.5" NVMe hybrid) 2x PCIe 3.0 x4 and SATA M-key, 2280, 22110
Expansion Slots	1 PCIe 4.0 x16 FHHL slot(s)
On-Board Devices	SATA: SATA3 (6Gbps); RAID 0/1/5/10 support NVMe: NVMe; RAID 0/1/5/10 support (*VROC HW key is required) Chipset: Intel® C621A Network Connectivity: 2x 1GbE BaseT with Intel® i350 IPMI: Support for Intelligent Platform Management Interface v.2.0 IPMI 2.0 with virtual media over LAN and KVM-over-LAN support
Input / Output	SATA: 10 SATA (6Gbps) port(s) LAN: 1 RJ45 Dedicated IPMI LAN port 2 RJ45 1GbE LAN ports USB: 6 USB 2.0 port(s) (2 rear; 4 headers) 5 USB 3.2 Gen 1 port(s) (2 rear; 2 headers; 1 Type A) Video: 1 VGA port(s) Serial Port: 2 COM Port(s) (1 header; 1 rear) DOM: 2 SuperDOM (Disk on Module) port with built-in power



System Cooling	Fans: 2 AOC cooling Fan(s) (optional) 4 middle cooling PWM 40x40x28mm Fan(s)
Power Supply	400W Redundant Platinum Level power supplies
System BIOS	BIOS Type: AMI 32MB SPI Flash EEPROM
Management	Redfish API; Supermicro Server Manager (SSM); Supermicro Power Manager (SPM); Supermicro Update Manager (SUM); SuperDoctor® 5; Super Diagnostics Offline ; KVM with dedicated LAN ; IPMI 2.0
PC Health Monitoring	CPU: Monitors for CPU Cores, Chipset Voltages, Memory 7+1 Phase-switching voltage regulator FAN: Fans with tachometer monitoring Status monitor for speed control Pulse Width Modulated (PWM) fan connectors Temperature: Monitoring for CPU and chassis environment Thermal Control for fan connectors
Dimensions and Weight	Height: 1.7" (43 mm) Width: 17.2" (437 mm) Depth: 19.98" (507 mm) Gross Weight: 30.4 lbs (13.8 kg) Net Weight: 17.6 lbs (8 kg) Packaging: 8.5" (H) x 24" (W) x 29.5" (D) Available Color: Black
Operating Environment	Operating Temperature: 10°C ~ 35°C (50°F ~ 95°F) Non-operating Temperature: -40°C to 70°C (-40°F to 158°F) Operating Relative Humidity: 8% to 90% (non-condensing) Non-operating Relative Humidity: 5% to 95% (non-condensing)
Motherboard	<a href="#">Super X12SPO-F</a>
Chassis	CSE-813MF2TS-R407CBP2