

GPU SuperServer SYS-421GE-TNRT



More details here

Key Applications

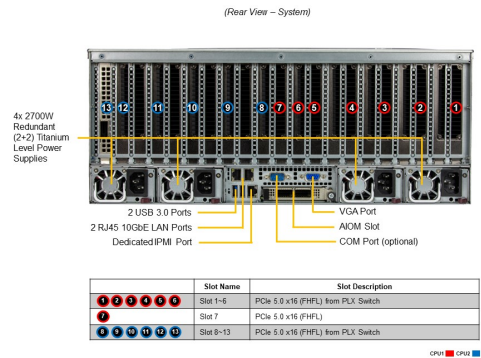
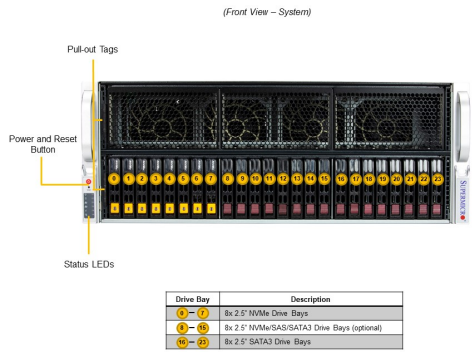
High Performance Computing, VDI, AI/Deep Learning Training, Media/Video Streaming, Cloud Gaming, Animation and Modeling, Design & Visualization, 3D Rendering, Diagnostic Imaging,

Key Features

- 32 DIMM slots Up to 8TB: 32x 256 GB DRAM Memory Type: 4800MHz ECC DDR5;
- AIOM/OCPI 3.0 Support; 13 PCIe Gen 5.0 X16 FHFL Slots;
- 8x2.5" Hot-swap NVMe drive bays; 8x HOT SWAP 2.5" SATA/SAS (AOC required); 8x 2.5" Hot-swap SATA drive bays;
- 8 Hot-Swap Heavy Duty Fans with Optimal Fan Speed Control;
- 4x 2700W (2+2) Redundant Power Supplies, Titanium Level;



Form Factor	4U Rackmount Enclosure: 437 x 178 x 737mm (17.2" x 7" x 29") Package: (27" x 26.57" x 41")
Processor	4th Gen Intel® Xeon® Scalable processors Dual Socket LGA-4677 (Socket E) supported (Supports up to 350W TDP CPUs (Air Cooled), Supports up to 350W TDP CPUs (Liquid Cooled))
GPU	Supported GPU: GPU-NVH100-80,GPU-NVA100-80-NC CPU-GPU Interconnect: PCIe 5.0 x16 Switch Dual-Root GPU-GPU Interconnect: NVIDIA® NVLink™ Bridge (optional)
System Memory	32 DIMM slots Up to 8TB ECC LRDIMM, DDR5-4800MHz
Drive Bays	24x 2.5" hot-swap NVMe/SATA/SAS drive bays (8x 2.5" NVMe hybrid; 8x 2.5" NVMe dedicated) 2 M.2 NVMe
Expansion Slots	12 PCIe 5.0 x16 LP slot(s) 1 PCIe 5.0 X16 slot(s)
On-Board Devices	Chipset: Intel® C741 Network Connectivity: 2x 10GbE BaseT with Intel® X710-AT2 IPMI: Support for Intelligent Platform Management Interface v.2.0 IPMI 2.0 with virtual media over LAN and KVM-over-LAN support
Input / Output	Video: 1 VGA port(s)



System Cooling	8 heavy duty fan(s) Liquid Cooling: Direct to Chip (D2C) Cold Plate (optional)
Power Supply	2700W Redundant Power Supplies with PMBus Dimension (W x H x L): 73.5 x 40 x 203 mm Output Type: 25 Pairs Gold Finger Connector
System BIOS	BIOS Type: AMI 32MB SPI Flash EEPROM
Management	SuperDoctor® 5; Watch Dog; NMI; SUM; KVM with dedicated LAN; SPM; Intel® Node Manager; SSM; IPMI 2.0; Redfish API; OOB Management Package (SFT-OOB-LIC)
PC Health Monitoring	CPU: Monitors for CPU Cores, Chipset Voltages, Memory 8+4 Phase-switching voltage regulator FAN: Fans with tachometer monitoring Status monitor for speed control Pulse Width Modulated (PWM) fan connectors Temperature: Monitoring for CPU and chassis environment Thermal Control for fan connectors
Dimensions and Weight	Height: 7" (178 mm) Width: 17.2" (437 mm) Depth: 29" (737 mm) Gross Weight: 100 lbs (45.3 kg) Net Weight: 65.5 lbs (29.7 kg) Packaging: 26.57" x 27" x 41" Available Color: Black Front & Silver Body
Operating Environment	Operating Temperature: 10°C ~ 35°C (50°F ~ 95°F) Non-operating Temperature: -40°C to 60°C (-40°F to 140°F) Operating Relative Humidity: 8% to 90% (non-condensing) Non-operating Relative Humidity: 5% to 95% (non-condensing)
Motherboard	Super X13DEG-OA
Chassis	CSE-418G2TS-R5K40P